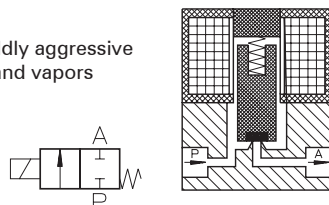


Type VA 291

2-way solenoid valve
direct actuated, NC
(normally closed)



Application
Neutral and mildly aggressive
liquids, gases and vapors



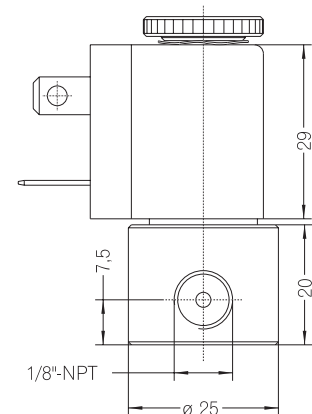
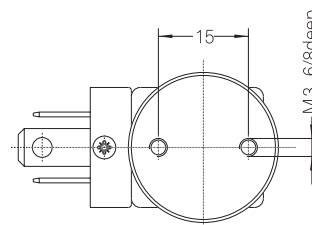
Type/ Order No.	Orifice [mm]	Port size	Pressure range [bar]		kv-value [m³/h]	Weight [kg]
			AC	DC		
VA 291-001	1,0	1/8"-NPT	0 - 20	0 - 12	0,03	0,130
VA 291-002	1,6	1/8"-NPT	0 - 16	0 - 10	0,06	0,130
VA 291-003	2,2	1/8"-NPT	0 - 10	0 - 6	0,11	0,130

Sealing material: **E** (EPDM) **V** (FPM) **Z** (FFPM)

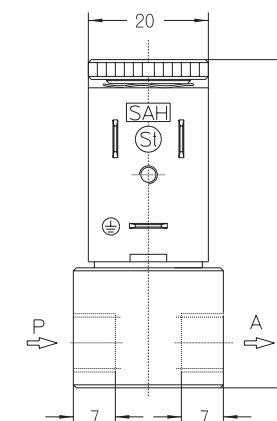
Body material: Stainless steel (1.4305)
 Inner parts: Stainless steel (1.4105)
 Mounting direction: Free, preferred upwards
 Max. ambient temp.: 50 °C
 Viscosity of the medium: max. 21 mm²/s (3 °E)
 Static pressure: max. 30 bar
 Standard voltage: DC: 24, 12 V
 AC: 230 V, 115 V, 42 V,
 24 V, 12 V (50 or 60 Hz)

Power consumption: 5 VA / 5 W
 Voltage tolerance: -15%... +10%
 Duty cycle: 100%
 Operating frequency: max. 1000/min
 Degree of Protection: IP 54 (EN 60529)
 Internal circuit for AC: Y

Other configurations upon request



The right to modification is reserved



Dimensions in mm